

**CODE OF PRACTICE FOR GUARDING AND SAFE USE OF WOODWORKING MACHINERY**

**AMENDMENT NO. 1**

August 1999

**1. Page 4, Foreword**

*Replace* the example in the last sentence in second paragraph with the words "Factories Act".

*Insert* the following text after the list of references:

6. BS 6854 : - Code of practice for safeguarding woodworking machines  
Part 2 : 1988 Circular sawing machines (sawing machines  
with rotating tools)

**2. Page 5, Subclause 2.2**

*Delete* the year "1973" in the sentence.

**3. Page 5, Subclause 2.8**

*Insert* the following text:

- (d) Reference should be made to the Factories (Noise) Regulations, 1996 for the control and prevention of noise hazards.

**4. Page 9, Subclause 4.2.1**

- (a) *Insert* the following text after the first sentence:

A power feed could be used to reduce the risk of contact with the saw blade (see Figure 1(a)).

- (b) *Insert* Figure 1(a) (see attached) before Figure 1 on Page 10.

- (c) *Replace* the text "(see Fig. 1)" in the fourth paragraph with "(see Figure 1(b))".

- (d) *Insert* the following text after the last sentence in the fourth paragraph:

The width of the push-stick is dependent on the worker's palm size and the size of the workpiece. It should be designed to withstand the force when in use.

**5. Page 10, Figure 1**

*Replace* and *re-number* the diagram as "Figure 1(b)" (see attached).

Singapore Standard CP 42 : 1988  
Amendment No. 1

6. **Page 29, Subclause 5.1.1**

(a) *Amend* the first sentence of the subclause as follows:

No person shall be ... with the use of the machines **and the precautions to be observed**; and ...

(b) *Insert* the word "or" after Subclause 5.1.1 (a).

7. **Page 29, Subclause 5.1.3**

*Insert* the following text after the first sentence:

This instruction and other safety measures shall be written in languages understood by persons employed at such machine and be displayed on such machine or at a place nearest to the process.

8. **Page 37**

*Insert* after this page the list of standards referred to in CP 42.

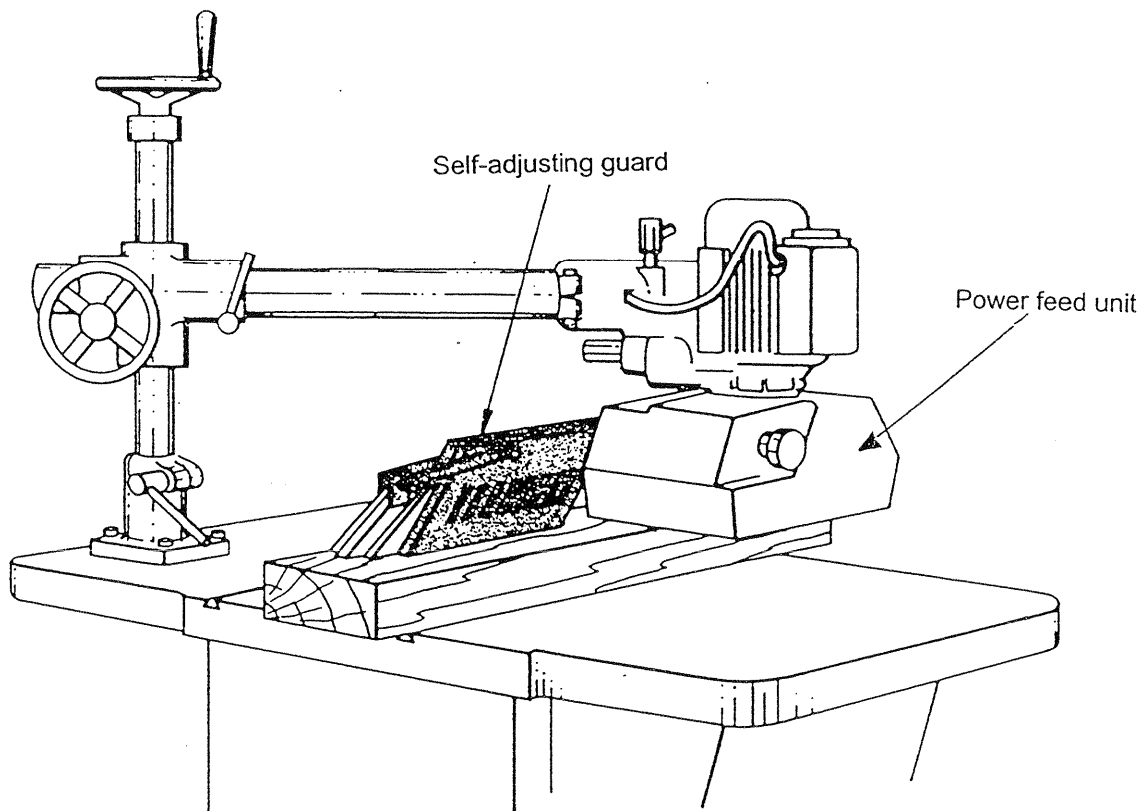
**Publications referred to:**

CP 5      Code of practice for electrical installations

CP 27     Code of practice for factory layout – Safety, health and welfare considerations

CP 38     Code of practice for artificial lighting in buildings

The Factories (Noise) Regulations, 1996



**Figure 1(a) – Self-adjusting guard for small sawing machines  
with blade up to 300 mm diameter**

This diagram is reproduced by permission of BSI, 389 Chiswick High Road, London, W4 4AL, England.

Singapore Standard CP 42 : 1988  
Amendment No. 1

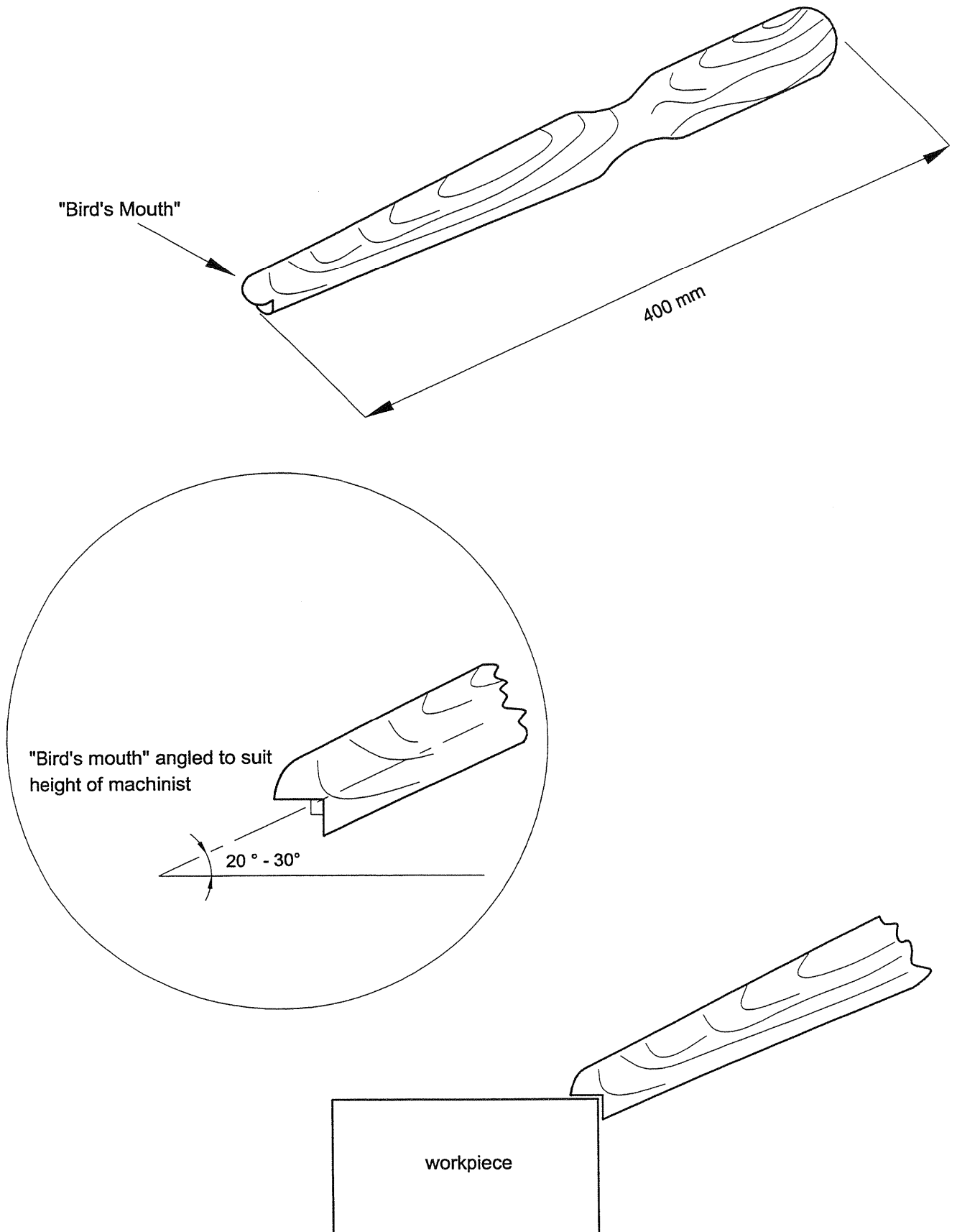


Figure 1(b) - Push stick