

CODE OF PRACTICE FOR THE CONSTRUCTION, CARE AND SAFE USE OF SHEARS

AMENDMENT NO. 1

August 1999

1. **Page 5, Foreword**

- (a) *Replace* the words "the Factories Act, 1973" in the second paragraph and item 1 of the references with "The Factories Act, Chapter 104".
- (b) *Delete* the reference made to "The Employment Act, 1971".

2. **Page 10, Figure 3**

Delete the existing diagram and *replace* with the attached diagram.

3. **Page 20, Subclause 4.4.1.1**

Replace the first sentence with the following text:

There shall be at least two stop control buttons to be installed at opposite ends of the shear.

4. **Page 21, Subclause 4.4**

Insert the following subclause:

4.4.3 Hydraulic hoses

High pressure hydraulic hoses designed to withstand the operating pressure of the shear shall be used instead of rubber hoses. High pressure metal piping would be preferred.

5. **Page 30, Figure 11**

Insert the attached Figure 11(b) after the existing Figure 11 to show other effective safety devices.

6. **Page 31, Subclause 7.1.1**

Insert the following text after the first sentence of the existing subclause:

The employer shall not remove the point-of-operation guard in order to maximise material usage.

7. **Page 31, Subclause 7.1.1.1**

Replace the subclause with the following text:

The employer shall not encourage the use of hand tools in any shearing operation to reduce the risk of hazards to the operator.

Singapore Standard CP 28 : 1984
Amendment No. 1

8. **Page 31, Subclause 7.1.2.2**

Insert the following new subclause:

7.1.2.2.4 Suitable material handling devices should be used to handle heavy steel plates, instead of manually transferring the steel plate to the shear machine.

9. **Page 32, Figure 12**

Delete the existing diagram.

10. **Page 32, Subclause 7.1.4**

Delete the last sentence of the paragraph.

11. **Page 34, Regulations and standards referred to:**

Delete the first reference "The Employment Act, 1971"

Amend the second reference to read as "The Factories Act, Chapter 104"

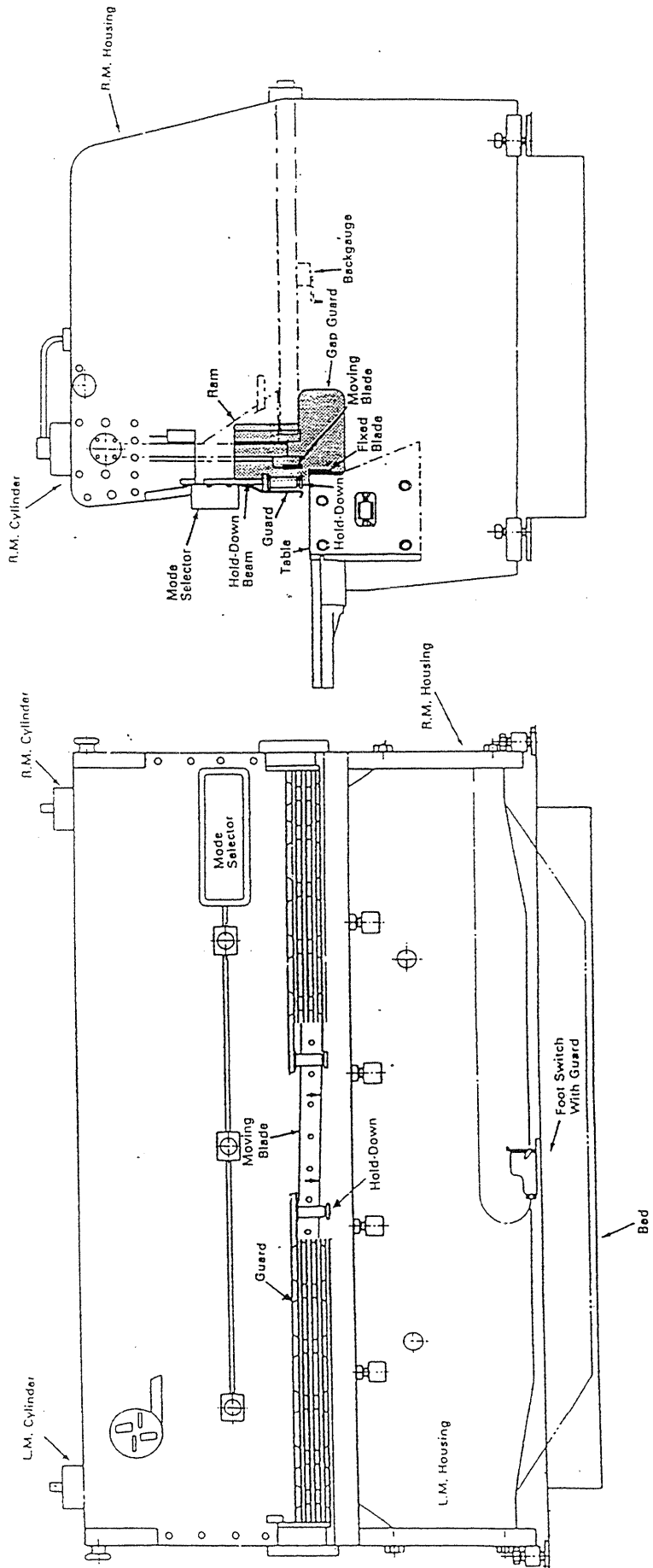
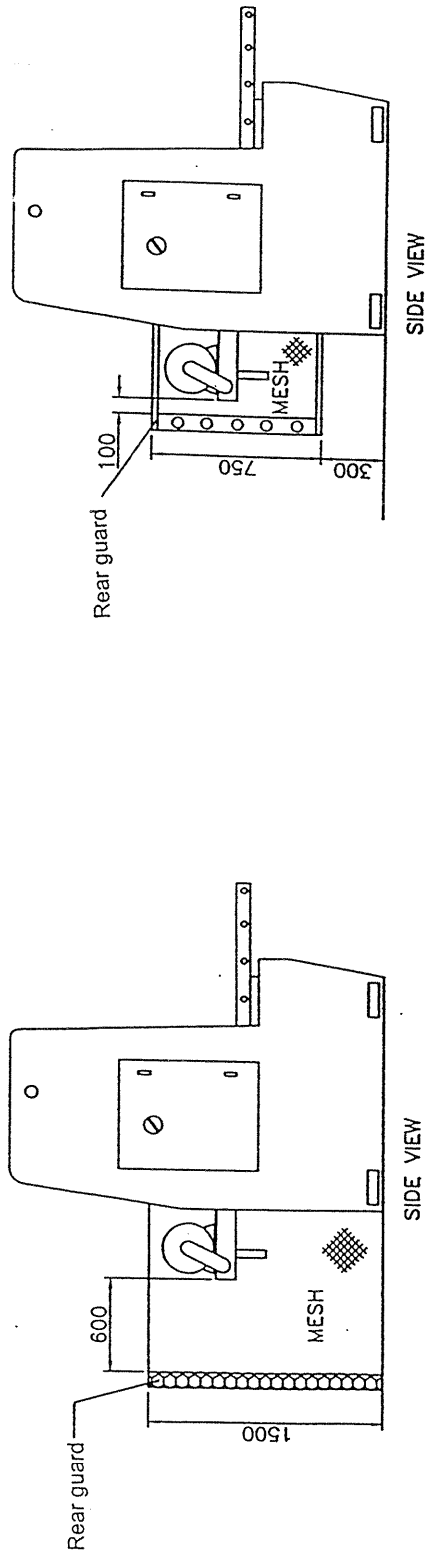
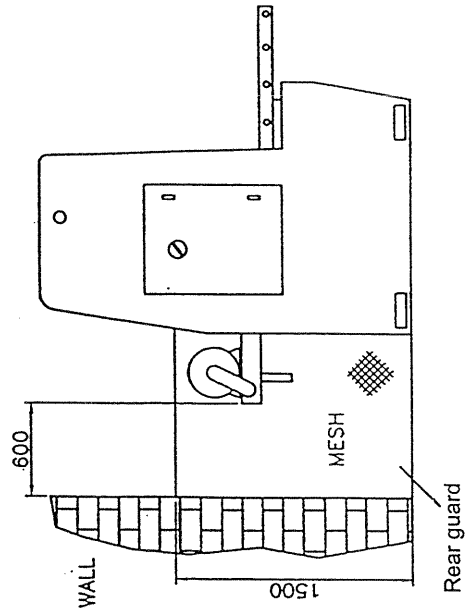


Figure 3. Typical hydraulically powered shear of the squaring, overdrive type



(a) Sliding doors interlocked with activation switch.

(b) Light curtain interlocked with activation switch



(c) Hinged doors interlocked with activation switch

Figure 11(b). Other typical rear guards